

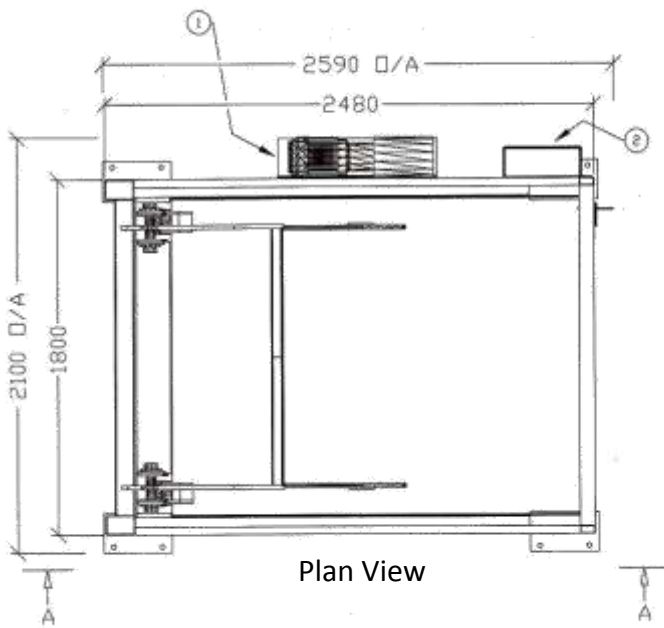
DICOM

PAALGROUP

Lydford Road Meadow Lane Industrial Estate Alfreton Derbyshire DE55 7RQ
Telephone 01773 520565 Facsimile 01773 520881
e-mail: sales@dicom.ltd.uk www.dicom.ltd.uk

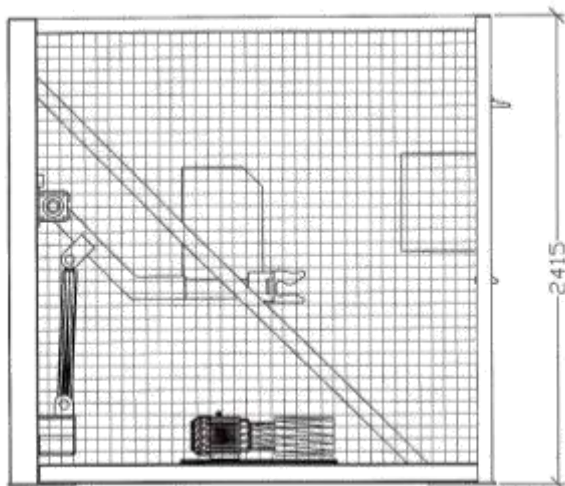
FREE STANDING TIPPER (LUG LIFT)

- Lifting Capacity : 500 KGS
- Control Voltage : 24V
- Motor : 4 Kw
- Power Supply : 16A 3 Phase+Earth
- Hydraulic Pressure : 130 bar



Plan View

- (1) Power Pack
- (2) Control Panel



View A-A

