




ECO (solar)

RANGE OF WASTE COMPACTORS

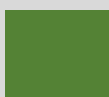



WASTE COMPACTORS

The **ECO (solar)** range of waste compactors are powerful, reliable and efficient machines offering economic solutions for your daily waste handling requirements.


Standard Colour Deep Masons Red	
---------------------------------------	---

Standard Colour BS 226 Mid Brunswick Green	
--	--

Standard Colour Ral: 6011 Reseda Green	
--	---

Standard Colour 20D45 Sapphire Blue	
---	---

Standard Colour Ral: 5012 Light Blue	
--	---

Standard Colour Ral: 1007 Chrome Yellow	
---	---



We reserve the right to change dimensions and specifications. Colours may deviate topographically.

ECO (solar) for economical operation

ECO (solar) Range

The **ECO (solar)** range of waste compactors are genuinely unique and are completely different from any other product on the market :

1. All of the power required to drive the compactor will be provided by the latest, high efficiency solar panels.
2. Because sunlight does not always provide a constant source of power, the energy created will be stored in 4 batteries. When fully charged, these batteries will allow the machine to operate for up to 90 cycles, even if there is no further solar energy being created.

Dicom Limited is the UK's leading manufacturer and supplier of waste compactors and baling equipment.

Safety

All Dicom's products are designed and manufactured with operator safety our highest priority.

Equipment is supplied with the following standard safety features :

- Emergency Stop
- 24 Volt controls
- Dual safety switches
- Dual channel safety relays
- Operator manuals supplied

Each compactor comes fully compliant to all current Safety Standards and CE Marked.

During installation full safety and operator training is provided by our highly experienced installation and service engineers.



CE12/20LRT with Tipper



CE15



CE32/30LRT with Tipper

Designed for efficiency

Benefits

For those organisations producing reasonable volumes of collections can be achieved using Dicom waste compactors. Waste can be reduced by a significant ratio of its original volume, depending on the material being compacted.

The **ECO (solar)** range of compactors is ideal for a wide range of medium volume applications. A typical machine, configured with a bin tipping device, will cope comfortably with 15 to 20 wheelie bins per day. This represents a substantial volume of material being processed, using solar power alone.

The **ECO (solar)** range of compactors will, therefore, provide the user with a whole host of advantages, including :

1. Zero energy-related running costs. On a typical application, processing 175 tonnes per annum, the pure energy cost saving, based upon historical energy costs, are likely to be around £150 per annum.

Furthermore, with energy prices increasing 33% in the last 4 years and with government incentive schemes promoting the use of renewable energy, the future savings could be even greater.

2. No mains power is required which means that the compactor can be sited almost anywhere.
3. The knowledge that your compacting operation is genuinely environmentally friendly and will also generate an important reduction in your carbon footprint.

The pressing force of the **ECO (solar)** range will be identical to the equivalent electrically powered machine and so there will be no difference in the container weight achieved. Furthermore, all of the features and options normally associated with the Dicom range of waste compactors will also be available with the **ECO (solar)** range. For example, all machines will be offered with an integrated tipper which will also be solar powered.



CE2000 Open Splay Hopper



CE2500s with Side Chute



CE3000T with Side Tipper



Solar panel

Benefits of the **ECO (solar)** range :

- Zero energy costs
- No mains power required
- Carbon footprint reduction
- Cycle upto 90 times once fully charged, without the need for further solar energy to be created.
- High efficiency solar panels

Service & Maintenance

The Dicom range of baling presses are supported by a team of mobile engineers who are located strategically throughout the UK and are able to offer quick response times in the unlikely event of your baler breaking down. Our engineers service and maintain the machines within their territory ensuring that it performs as it was designed to. Great care is taken to ensure that your equipment runs as efficiently as possible.

Our highly experienced engineers are supported by our service team based in Alferton, Derbyshire who are able to manage and direct engineers as situations arise. These service controllers are also supported by our factory team in the UK and the PAAL technical department based in Germany.

Our engineers undergo regular training to ensure they are able to fix any problem 'first time and on time', meaning that any disruption is kept to a minimum.

Dicom's highly trained engineers are able to undertake servicing, maintenance and repair work on a huge range of compactors and balers, including those sold by other suppliers. We offer service and maintenance contracts for all waste compaction and baling equipment.

How we can help you :

- Site Surveys.
- Product information and specification sheets including outline drawings.
- Very competitive pricing :
 - Purchase or Rental/Lease
- Prompt proposals.



Finance Options

When acquiring your equipment from Dicom PAAL, it is important that we first meet your operational requirements and that the method of acquisition meets your budgetary needs.

- **Outright Purchase**
- **Rental**
- **Lease**

Why choose an **ECO (solar)** Waste Compactor from Dicom?

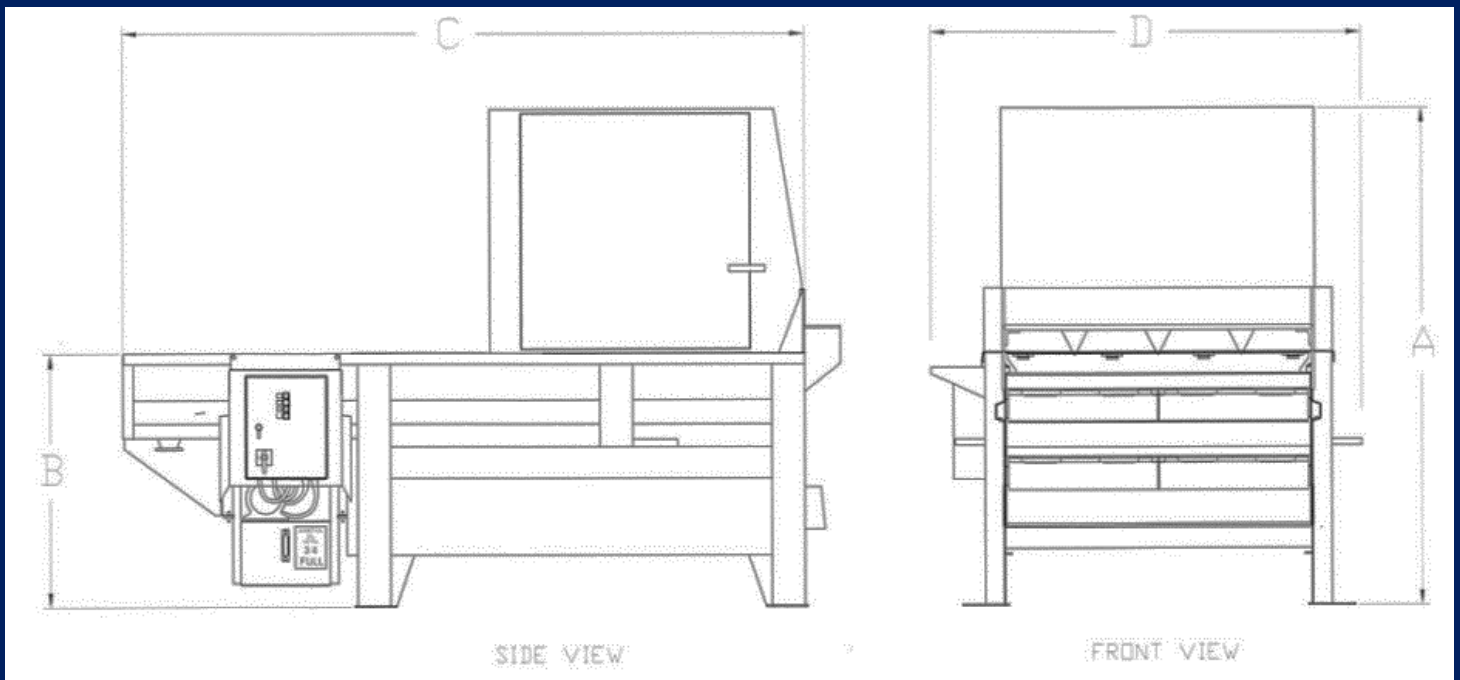
- Dicom have been established in the UK for over 30 years
- All compactors are designed, developed and built at our UK manufacturing site
- Largest range of waste compaction, vertical & horizontal baling equipment available in the UK
- Part of the world-wide PAAL Group. (PAAL GmbH Est. 1854)
- UK Operation employs over 40 people
- Market Leaders
- Great reliable and proven products
- The best after sales service in the industry, using our own engineers
- All products are CE marked

STATIC COMPACTORS

		CE2000	CE2500s	CE3000
Compaction Force (Tonnes)		32	32	32
Blade Penetration (mm)		320	320	350
Cycle Time (Seconds)		59	62	76
Charge Box Volume (m ³)		1.5	1.75	2.0
Volume Per Hour (m ³)		142	114	190
Motor Size (kW)		7.5	7.5	7.5
Overall Height (mm)	A	2400	2400	2400
Loading Height (mm)	B	1225	1225	1225
Length (mm)	C	2710	2250	3335
Width (mm)	D	2035	2035	2035
Top Opening (mm)		1500 x 1200	1500 x 1340	1500 x 1500
Ram Depth (mm)		736	700	736

Standard Features :

4 kW 24 vdc Main Drive Motor	•	•	•
2 kW 24 vdc Tipper Motor	Option	Option	Option
Tandem Pump 22 L/Min	•	•	•
4 x 250 Watt High Efficiency Solar Panels	•	•	•
Twin Hydraulic Rams	•	•	•
Programmable Logical Controller (PLC)	•	•	•
¼ Full Warning Light	•	•	•
Automatic Pin Off System	•	•	•
Retaining Teeth on Header Bar	•	•	•
Stress Engineered Body	•	•	•
24 Volt Controls	•	•	•
Emergency Stop Buttons	•	•	•
Dual Channel Safety Circuits	•	•	•
Automatic Shut Down When Bin Full	•	•	•
External Grease Points	•	•	•
CE Certifications	•	•	•

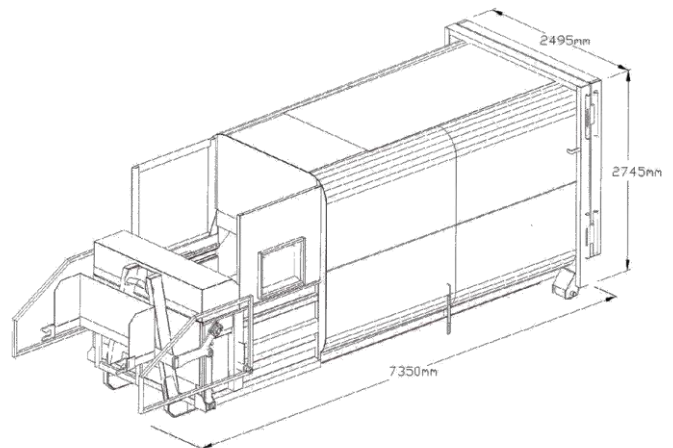
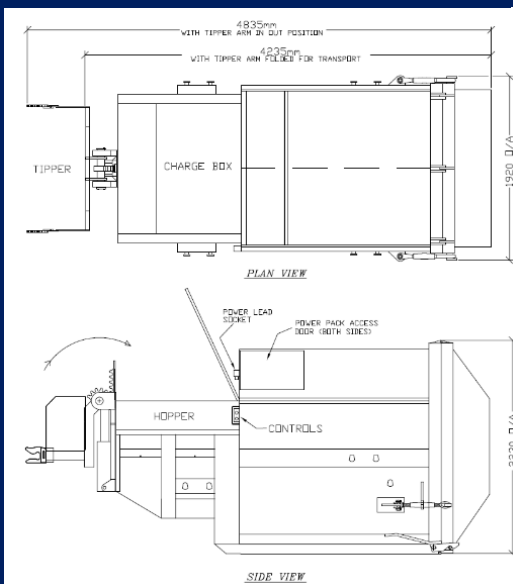


PORTABLE COMPACTORS

	CE15	CE15/20	CE12/20T	CE32/30	CE32/30LRT
Machine Capacity (m ³)	12.12	12.12	9	25	25
Compaction Force (Tonnes)	26	20	20	30	30
Blade Penetration (mm)	115° Paddle	150	150	305	305
Cycle Time (Seconds)	30	38	38	59	59
Charge Box Volume (m ³)	0.9	0.75	0.75	1.3	1.3
Volume Per Hour (m ³)	101	67.5	67.5	97.5	97.5
Motor Size (kW)	5.5	4	4	5.5	5.5
Loading Heights (mm)	1143	1155	1295	1330	1330
Length (mm)	4395	4400	4335	6412	7350
Width (mm)	1870	1940	1920	2495	2495
Height (mm)	2200	2146	2230	2745	2745
Door Opening (mm)	1105 x 762	1100 x 900	N/A	N/A	N/A
Top Opening (mm)	N/A	1340 x 685	1340 x 685	1700 x 1100	1700 x 1100

Features :

4 kW 24 vdc Main Drive Motor	•	•	•	•	•
2 kW 24 vdc Tipper Motor	N/A	N/A	•	N/A	•
Tandem Pump 22 L/Min	•	•	•	•	•
4 x 250 Watt High Efficiency Solar Panels	•	•	•	•	•
Lug Lift Tipping System	N/A	N/A	•	N/A	•
Liquid Retentive Seal	Option	Option	Option	•	•
Twin Hydraulic Rams	•	•	•	•	•
Programmable Logical Controller (PLC)	•	•	•	•	•
¾ Full Warning Light	•	•	•	•	•
Retaining Teeth on header bar	N/A	•	•	•	•
Stress Engineered Body	•	•	•	•	•
24 Volt Controls	•	•	•	•	•
Emergency Stop Buttons	•	•	•	•	•
Dual Channel Safety Circuits	•	•	•	•	•
Automatic Shut Down when full	•	•	•	•	•
External Grease Points	N/A	N/A	N/A	•	•
CE Certification	•	•	•	•	•
Bustle Gate Rear Door to increase compaction	•	•	•	•	•
Remote Power Pack (Std built in)	Option	Option	Option	Option	Option
Low Loading Height	•	•	•	•	•
Custom Built Hopper	Option	Option	Option	Option	Option



All dimensions are correct at time of print; however Dicom is continually improving our products and for space critical situations, dimensions can be confirmed.



Dicom Ltd.

Lydford Road, Meadow Lane Industrial Estate, Alfreton, Derbyshire DE55 7RQ Great Britain

Tel.: 0845 519 0344 Fax: 01773 520881 Email: sales@dicom.ltd.uk Website: www.dicom.ltd.uk