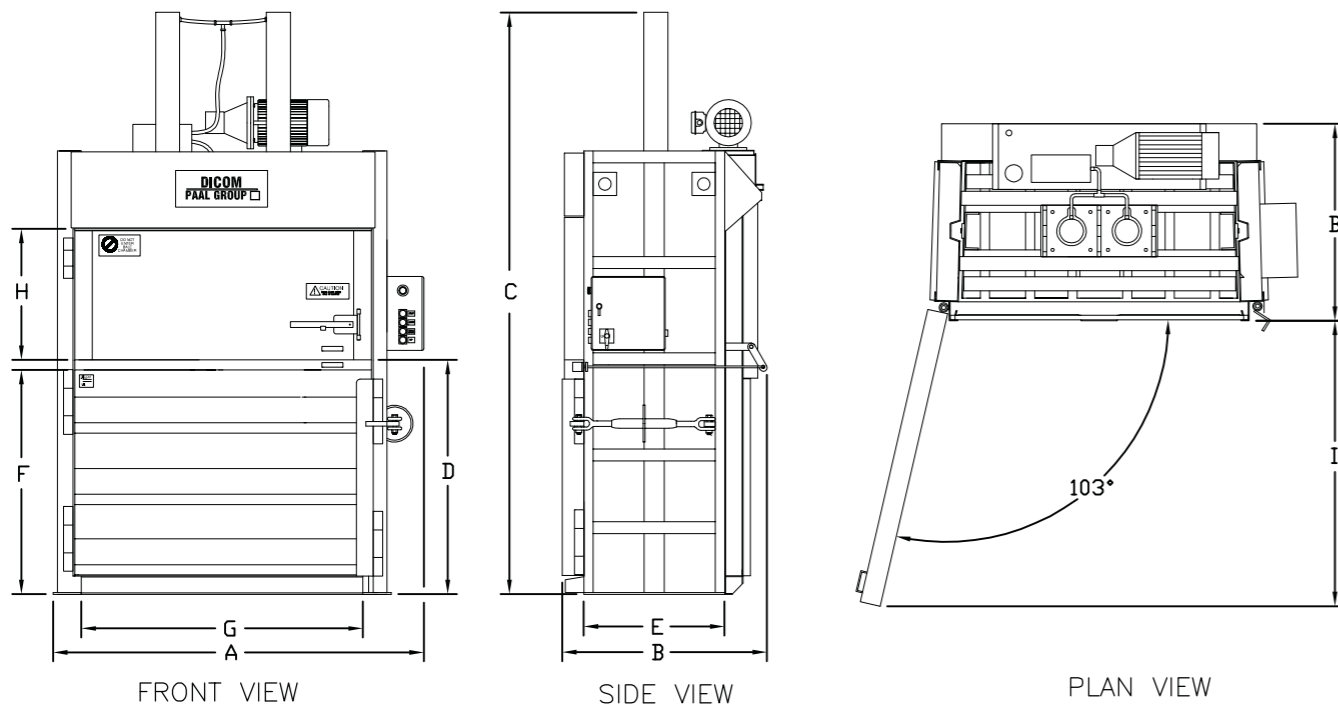


# PGV-650 & PGV-600E HEAVY DUTY BALERS

## TECHNICAL DATA AND MEASUREMENTS



### GENERAL DIMENSIONS (Dimensions in mm)

	PGV-650	PGV-600E
A OVERALL WIDTH	2032	2000
B OVERALL DEPTH	1235	1150
C OVERALL HEIGHT	3530	3150
D FEED HEIGHT	1200	1270
E BALE CHAMBER DEPTH	812	762
F BALE CHAMBER HEIGHT	1050	1118
G LOAD OPENING WIDTH	1520	1300
H LOAD OPENING HEIGHT	680	620
I BALE DOOR CLEARANCE	1550	1550

### BALE SIZE DATA

BALE WIDTH	1520	1520
BALE DEPTH	810	760
BALE HEIGHT	1000	1220
BALE TIES	6x(wire or tape)	6x(wire or tape)
BALE WEIGHT	up to 650kg	up to 550kg

### PERFORMANCE DATA

MOTOR	7.5kw	5.5kw
CYCLE TIME	38sec	58sec
PLATERN FORCE	35 tonne	30 tonne
CONTROL VOLTAGE	24v	24v
POWER SUPPLY	32amp 3phase	20amp 3phase

# PGV

## VERTICAL BALING PRESSES

# PGV

## VERTICAL BALING PRESSES

The PGV is a well – established baling press from the Dicom PAAL Group and compliments the already existing wide range of baling presses.

The PGV range of balers are powerful, reliable and efficient machines offering an economic solution for your daily baling requirements.

## Baling press for economical operation

### PGV Range

The range of PGV balers are ideally suited for baling materials such as cardboard, plastic packaging, textiles and dry general wastes.

Each has been designed to ensure you achieve maximum performance and reliability, with ease of operation.

**Dicom Limited is the UK's leading manufacturer and supplier of waste compactors and baling equipment.**

### Benefits

- ✓ Save Money; generate additional revenue for your business
- ✓ Save Time; no need to load skips or bins
- ✓ Save Space; less skips required as the volume of waste can be reduced by 95%
- ✓ Save the environment
- ✓ Improve Health & Safety.

## Designed for efficiency

### Safety

All Dicom's products are designed and manufactured with operator safety our highest priority. Equipment is supplied with the following standard safety features:

- Emergency Stop
- 24 Volt control
- Dual safety switches
- Dual channel safety relays
- Operator manuals supplied

Each baler comes fully compliant to all current Safety Standards and CE Marked.

During installation full safety and operator training is provided by our highly experienced installation and service engineers.

### Service & Maintenance

The Dicom range of baling presses are supported by a team of mobile engineers who are located strategically throughout the UK and are able to offer quick response times in the unlikely event of your baler breaking down. Our engineers service and maintain the machines within their territory ensuring that it performs as it was designed to. Great care is taken to ensure that your equipment runs as efficiently as possible.

Our highly experienced engineers are supported by our service team based in Alfreton, Derbyshire who are able to manage and direct engineers as situations arise. These service controllers are also supported by our factory team in the UK and the PAAL technical department based in Germany.



Standard Colour  
Ral: W8216  
Blue Masons



We reserve the right to change dimensions and specifications. Colours may deviate topographically.

### Why choose a PGV from Dicom?

- Dicom established in the UK over 30 years.
- UK manufacturing site in Derbyshire.
- Largest range of waste compaction, vertical & horizontal baling equipment available in the UK.
- Part of the world-wide PAAL Group. (PAAL GmbH Est. 1854)
- UK operation employs over 40 people
- Market leaders.
- Great reliable products.
- The best after sales service in the market.
- All products are CE marked.

### How we can help you:

- Site surveys.
- Product information and specification sheets including outline drawings.
- Very competitive pricing:
  - o Rentals or purchases/leasing.
- Prompt proposals.

Our engineers undergo regular training to ensure they are able to fix any problem 'first time and on time', meaning that any disruption is kept to a minimum.

Dicom's highly trained engineers are able to undertake servicing, maintenance and repair work on a huge range of compactors and balers, including those sold by other suppliers. We offer service and maintenance contracts for all waste compaction and baling equipment.

### Payment & Finance Options

When acquiring your baling equipment from Dicom PAAL, it's important that we first meet your operational requirements and that the method of acquisition meets your budgetary needs.

- **Outright Purchase**
- **Rental**
- **Leasing**