



CE2000

STATIC WASTE COMPACTOR

CE Range

The range of CE waste compactors are ideally suited for compacting materials such as dry industrial and commercial general waste, cardboard, plastic packaging, timber and recyclables.

Each has been designed to ensure you achieve maximum performance and reliability, with ease of operation.

Special FEATURES of the CE Range :

- High Efficiency Power Packs
- Low Noise Gear Pumps
- Data Management
 - Text and Email Notification of Machine Status (Variable Filling Level Notification, Full Message and Machine Fault Status)
 - Remote Diagnostic Functionality (back at Dicom Factory)
 - Intelligent Service Scheduling, Via Hours Run
 - Machine Identification & Location (allowing multiple machines at same site)
 - Monitoring of Hydraulic Oil Levels and Leak Detection
 - Hydraulic Oil Overheat and Shut Down Facility

DICOM LIMITED IS THE UK'S LEADING MANUFACTURER AND SUPPLIER OF WASTE COMPACTORS AND BALING EQUIPMENT.

DICOM

BENEFITS :

- Lower Electricity Costs
- Increased Performance in Compaction, Due to Intelligent Electronics and Hydraulics
- Fewer Vehicle Movements/Collections Thanks to Improved Full Level
- Enhanced Maintenance and Housekeeping Accessibility
- Reduced Noise Levels
- Lower Maintenance Costs
- Maximum Payloads

OPTIONAL EQUIPMENT :

- Hydraulic Tipper System with Galvanised Safety Cage (Side or Rear Loading)
- Other loading configurations available
- Choice of Colours

SAFETY :

All Dicom's products are designed and manufactured with operator safety our highest priority.

Each compactor comes fully compliant to all current Safety Standards and CE Marked.

During installation full safety and certified operator training is provided by our highly experienced installation and service engineers.

Equipment is supplied with the following standard safety features :

- Emergency Stop
- 24 Volt controls
- Dual safety switches
- Dual channel safety relays
- Operator manuals supplied

Technical Data and Measurements

Compaction Force (Tonnes)	32
Cycle Time (Seconds)	38
Volume Per Hour (m ³)	142
Top Opening (mm)	1500 x 1200

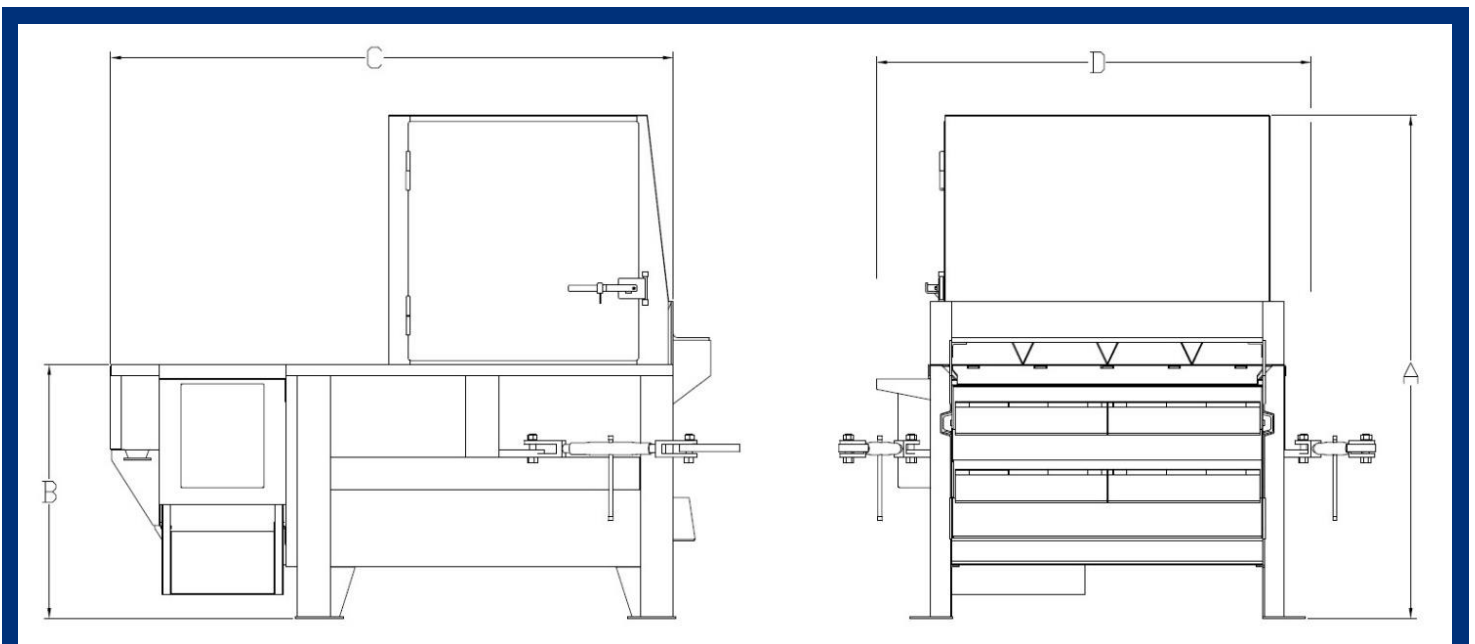
Blade Penetration (mm)	320
Charge Box Volume (m ³)	1.5
Motor Size	5.5 kW
Ram Depth (mm)	736

Electrical Supply Requirements	20A 415V 3-phase with neutral and earth. Protection via Type "D" circuit breaker or Motor rated fuses
--------------------------------	--

Dimensions in mm

A Overall Height	2400
C Length	2710

B Loading Height	1225
D Width	2035



www.dicom.ltd.uk

DICOM